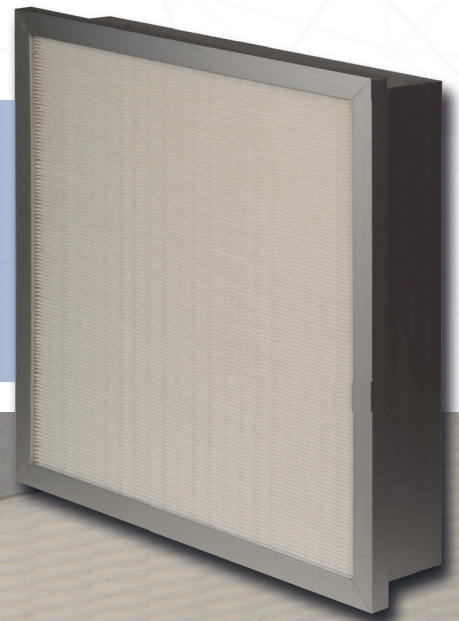


RIGID FILTER (ALUMINIUM FRAME)

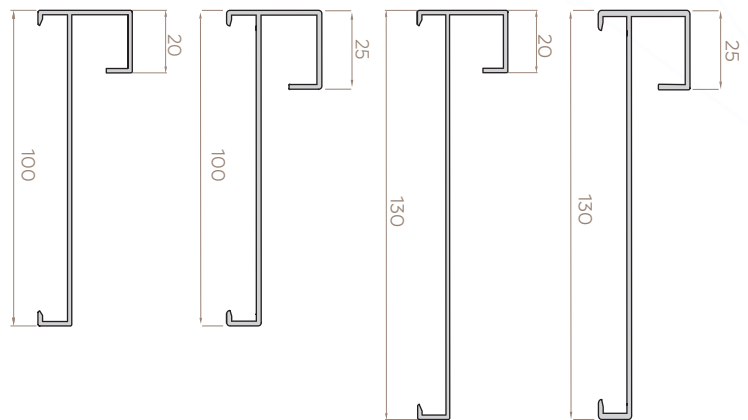


Applications:

Capturing fine particles
Second or final stage filter in HVAC
Pre-filter for HEPA filters

Highlights:

- Eurovent certified
- Large filtration area
- Simple and light weight
- High dust holding capacity
- Low initial pressure drop



Filter Standard:	ISO 16890	Max. Operating Temperature:	80°C
Filter Class:	ISO ePM1 - ISO ePM2,5 - ISO ePM10	Depth:	100 and 130 mm
Media:	Glass Fiber	Faceguard:	Available on request
Frame:	Anodized extruded aluminium	Sealing Compound:	Two component polyurethane
Rec. Final Pressure Drop EN13053:	Initial ΔP +100 Pa or initial ΔP x3 whichever is lower	Separators:	Hotmelt

RIGID FILTER (ALUMINIUM FRAME/A100)

Filter Model	Filter Class		Dimensions WxHxD (mm)	Filtration Area (m ²)	Nominal Airflow (m ³ /h)	Initial Pressure Drop (Pa)
	EN 779 (cancelled)	ISO 16890				
FR-M6-A-M-25-287-287-100-FW-W	M6	ePM10 75%	287x287x100	2,5	750	100
FR-M6-A-M-25-287-592-100-FW-W	M6	ePM10 75%	287x592x100	5	1500	100
FR-M6-A-M-25-490-592-100-FW-W	M6	ePM10 75%	490x592x100	8,3	2500	100
FR-M6-A-M-25-592-592-100-FW-W	M6	ePM10 75%	592x592x100	10	3000	100
FR-F7-A-M-25-287-287-100-FW-W	F7	ePM1 55%	287x287x100	2,5	750	125
FR-F7-A-M-25-287-592-100-FW-W	F7	ePM1 55%	287x592x100	5	1500	125
FR-F7-A-M-25-490-592-100-FW-W	F7	ePM1 55%	490x592x100	8,3	2500	125
FR-F7-A-M-25-592-592-100-FW-W	F7	ePM1 55%	592x592x100	10	3000	125
FR-F8-A-M-25-287-287-100-FW-W	F8	ePM1 75%	287x287x100	2,5	750	150
FR-F8-A-M-25-287-592-100-FW-W	F8	ePM1 75%	287x592x100	5	1500	150
FR-F8-A-M-25-490-592-100-FW-W	F8	ePM1 75%	490x592x100	8,3	2500	150
FR-F8-A-M-25-592-592-100-FW-W	F8	ePM1 75%	592x592x100	10	3000	150
FR-F9-A-M-25-287-287-100-FW-W	F9	ePM1 85%	287x287x100	2,5	750	170
FR-F9-A-M-25-287-592-100-FW-W	F9	ePM1 85%	287x592x100	5	1500	170
FR-F9-A-M-25-490-592-100-FW-W	F9	ePM1 85%	490x592x100	8,3	2500	170
FR-F9-A-M-25-592-592-100-FW-W	F9	ePM1 85%	592x592x100	10	3000	170

"Other dimensions are available on request."

"Differential Pressure Tolerance (±10% + 5 Pa) or (10 Pa + 5 Pa) whichever is greater"

RIGID FILTER CODE CONFIGURATION

Filter Type	Filter Class	Frame	Capacity	Flange	Dimensions (mm)	Faceguard	Gasket
FR :Rigid Filter	M6 F7 F8 F9	A : Aluminium	M : Standard H : High	20 25	592x592x130	FW: Without FC: On Clean Side FD: On Dirty Side FB: On Both Sides	W: Without E: EPDM EE: EPDM Flat On Both Sides

A-RIGID FILTER (ALUMINIUM FRAME/A130)

Filter Model	Filter Class		Dimensions WxHxD (mm)	Filtration Area (m ²)	Nominal Airflow (m ³ /h)	Initial Pressure Drop (Pa)
	EN 779 (cancelled)	ISO 16890				
FR-M6-A-H-25-287-287-130-FW-W	M6	ePM10 75%	287x287x130	3,2	750	90
FR-M6-A-H-25-287-592-130-FW-W	M6	ePM10 75%	287x592x130	6,5	1500	90
FR-M6-A-H-25-490-592-130-FW-W	M6	ePM10 75%	490x592x130	10,7	2500	90
FR-M6-A-H-25-592-592-130-FW-W	M6	ePM10 75%	592x592x130	13	3000	90
FR-F7-A-H-25-287-287-130-FW-W	F7	ePM1 55%	287x287x130	3,2	750	110
FR-F7-A-H-25-287-592-130-FW-W	F7	ePM1 55%	287x592x130	6,5	1500	110
FR-F7-A-H-25-490-592-130-FW-W	F7	ePM1 55%	490x592x130	10,7	2500	110
FR-F7-A-H-25-592-592-130-FW-W	F7	ePM1 55%	592x592x130	13	3000	110
FR-F8-A-H-25-287-287-130-FW-W	F8	ePM1 75%	287x287x130	3,2	750	140
FR-F8-A-H-25-287-592-130-FW-W	F8	ePM1 75%	287x592x130	6,5	1500	140
FR-F8-A-H-25-490-592-130-FW-W	F8	ePM1 75%	490x592x130	10,7	2500	140
FR-F8-A-H-25-592-592-130-FW-W	F8	ePM1 75%	592x592x130	13	3000	140
FR-F9-A-H-25-287-287-130-FW-W	F9	ePM1 85%	287x287x130	3,2	750	160
FR-F9-A-H-25-287-592-130-FW-W	F9	ePM1 85%	287x592x130	6,5	1500	160
FR-F9-A-H-25-490-592-130-FW-W	F9	ePM1 85%	490x592x130	10,7	2500	160
FR-F9-A-H-25-592-592-130-FW-W	F9	ePM1 85%	592x592x130	13	3000	160

"Other dimensions are available on request."
 "Differential Pressure Tolerance (±10% + 5 Pa) or (10 Pa + 5 Pa) whichever is greater"

