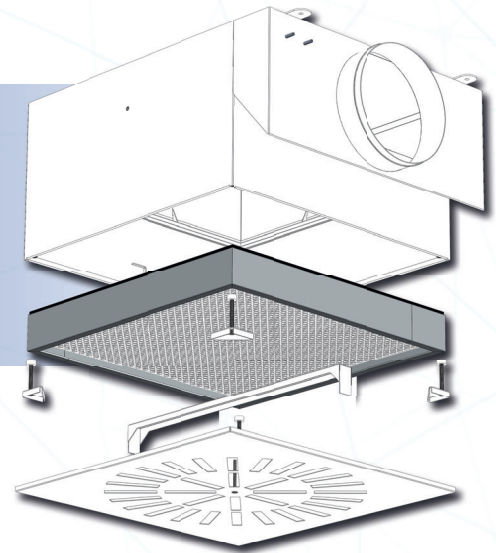
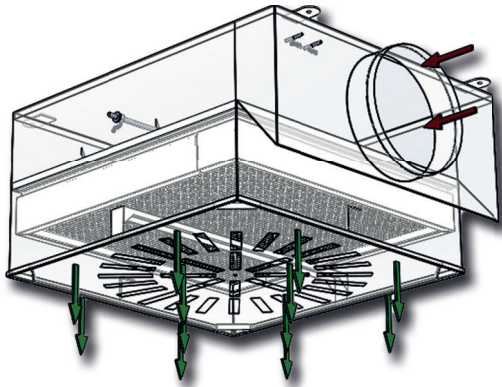


HEPA FILTER BOX



Applications:

Microelectronics
Laboratories
Life science
Healthcare
Food and Beverage Industry

Highlights:

- Filter seal-leak test (DIN 1946-4 and ISO 14644-3)
- Test ports for pressure drop, test groove (on request) and aerosol injection
- Available air flow adjustment damper fitted to the spigot (on request)
- Available in various construction and dimensions
- Simplified maintenance and disinfection
- Easily removable air outlets
- Available powder coated or stainless steel
- Central, corner, side fixing for diffuser
- Duct connection type: Top, Side, Z (Lower ceiling heights)
- Powder coated in any RAL Code

HEPA FILTER BOX

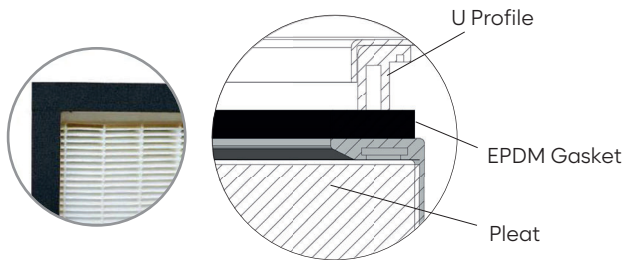
ULPATEK CODE	Box Dimension			HEPA Filter Dimension			Diffuser Dimension	
	Width mm	Length mm	Height* mm	Width mm	Length mm	Height mm	Width mm	Length mm
HFB-SS-X-F-W-C-610-610-78-M	627	627	400	610	610	78	650	650
HFB-SS-X-F-W-C-610-610-150-M	627	627	400	610	610	150	650	650
HFB-SS-Y-K-W-C-610-610-80-M	627	627	400	610	610	80	650	650
HFB-SS-Y-K-W-C-610-610-128-M	627	627	400	610	610	128	650	650
HFB-SS-Z-T-W-C-610-610-69-M	627	627	400	610	610	69	650	650
HFB-SS-X-F-D-M-610-610-150-M (tool free)	627	627	400	610	610	150	650	650

*Height will be changed according to design.

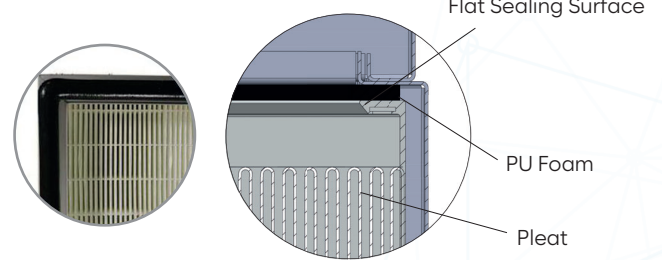
HEPA FILTER BOX CODE CONFIGURATION

Filter Type	Flange	Spigot Side	Leakproof Gasket Surface	Damper	Diffuser Connection	Dimensions (mm)	Spigot Diameter
HFB : HEPA Filter Box	P: Powder Coated SS: Stainless Steel 304 SS316: Stainless Steel 316	X: Top Inlet Y: Side Inlet Z: Z Inlet	F: Flat Surface T: Test Groove K: Knife Edge	D: Exist W: Without	C: Center S: Corner M: Magnet	610x610x78	A: 125 B: 150 C: 160 D: 200 M: 250 F: 300 L: 315 X: 355 Z: 0

EPDM Gasket - Test Groove



PU Foam - Flat Surface



Gel Type Gasket - Knife Edge Surface

