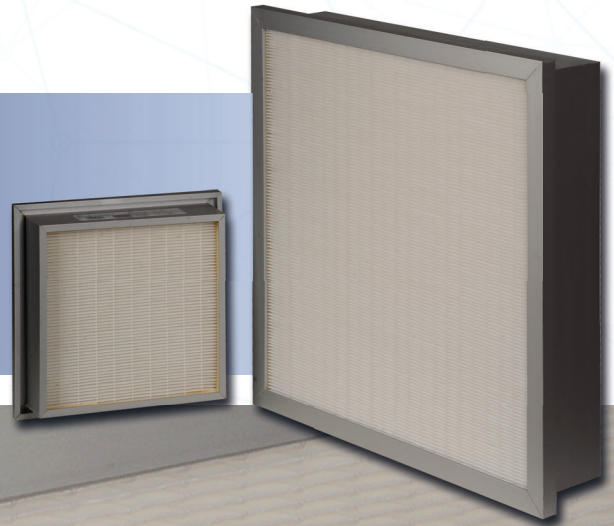


EFFICIENT RIGID FILTER (ALUMINIUM FRAME)

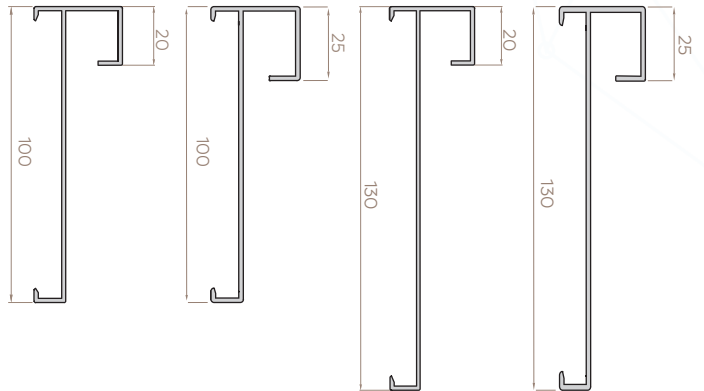


Applications:

Final filter for HVAC or cleanrooms

Highlights:

- Tested and certified acc to EN 1822 - ISO 29463 for H13 - H14
- Large filtration area
- Simple and light weight
- Low initial pressure drop



Filter Standard:	EN 1822 and ISO 29463	Max. Operating Temperature:	80°C
Filter Class:	E10 - E11 - E12 - H13 - H14	Depth:	100 and 130 mm
Media:	Glass Fiber	Faceguard:	Available on request
Frame:	Anodized, extruded aluminium	Sealing Compound:	Two component polyurethane
Rec. Final Pressure Drop:	Initial pressure drop x2, (max. 600 Pa)	Seperators:	Hotmelt



EFFICIENT RIGID FILTER (ALUMINIUM FRAME)

Filter Model	Filter Class		Dimensions WxHxD (mm)	Filtration Area (m ²)	Nominal Airflow (m ³ /h)	Initial Pressure Drop (Pa)
	EN 1822	ISO 29463				
HR-E10-A-25-287-287-130-FW-W	E10	-	287x287x130	3,2	625	190
HR-E10-A-25-287-592-130-FW-W	E10	-	287x592x130	6,5	1250	190
HR-E10-A-25-592-592-130-FW-W	E10	-	592x592x130	13	2500	190
HR-E11-A-25-287-287-130-FW-W	E11	ISO 15 E	287x287x130	3,2	500	210
HR-E11-A-25-287-592-130-FW-W	E11	ISO 15 E	287x592x130	6,5	1000	210
HR-E11-A-25-592-592-130-FW-W	E11	ISO 15 E	592x592x130	13	2000	210
HR-E12-A-25-287-287-130-FW-W	E12	ISO 25 E	287x287x130	3,2	375	250
HR-E12-A-25-287-592-130-FW-W	E12	ISO 25 E	287x592x130	6,5	750	250
HR-E12-A-25-592-592-130-FW-W	E12	ISO 25 E	592x592x130	13	1500	250
HR-H13-A-25-287-287-130-FC-E	H13	ISO 35 H	287x287x130	3,2	375	270
HR-H13-A-25-287-592-130-FC-E	H13	ISO 35 H	287x592x130	6,5	750	270
HR-H13-A-25-592-592-130-FC-E	H13	ISO 35 H	592x592x130	13	1500	270
HR-H14-A-25-287-287-130-FC-E	H14	ISO 45 H	287x287x130	3,2	300	270
HR-H14-A-25-287-592-130-FC-E	H14	ISO 45 H	287x592x130	6,5	600	270
HR-H14-A-25-592-592-130-FC-E	H14	ISO 45 H	592x592x130	13	1200	270

"Other dimensions are available on request."
"Differential Pressure Tolerance ±10%"

EFFICIENT RIGID FILTER (ALUMINIUM FRAME) CODE CONFIGURATION

Filter Type	Filter Class	Frame	Flange	Dimensions (mm)	Faceguard	Gasket
HR : Efficient Rigid Filter (Aluminium Frame)	E10 E11 E12 H13 H14	A : Aluminium	20 25	592x592x130	FW: Without FC: On Clean Side FD: On Dirty Side FB: On Both Sides	W: Without E: EPDM EE: EPDM Flat On Both Sides C: Continuous Grey EPDM CC: Grey EPDM on Both Sides